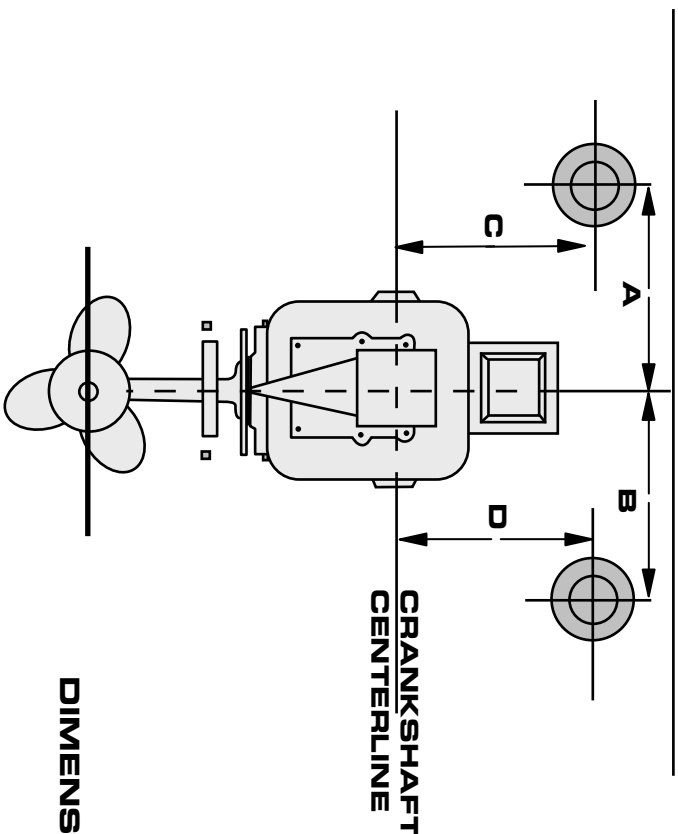


# Single Engine Exhaust Template



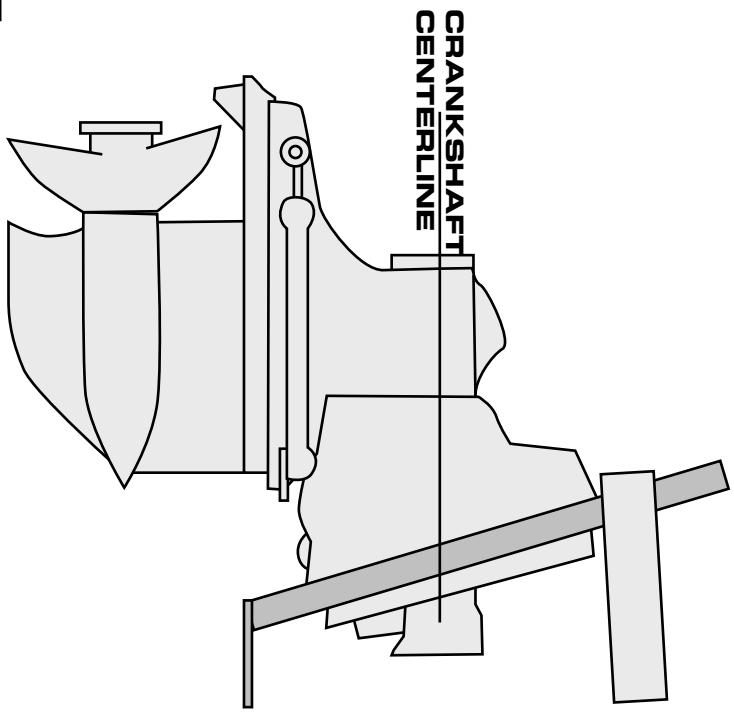
**DIMENSIONS**

A \_\_\_\_\_

B \_\_\_\_\_

C \_\_\_\_\_

D \_\_\_\_\_



Customer/Workorder \_\_\_\_\_

Sound Choice Thru Hull Tip Style Perp. Paral \_\_\_\_\_

Typr of Heads \_\_\_\_\_

C.I. Block \_\_\_\_\_

Drive \_\_\_\_\_

All measurements should be taken off of crankshaft/driveshaft center. Take your time when measuring the boat. Teague Custom Marine Inc. Is not responsible for rework due to incorrect measurements.