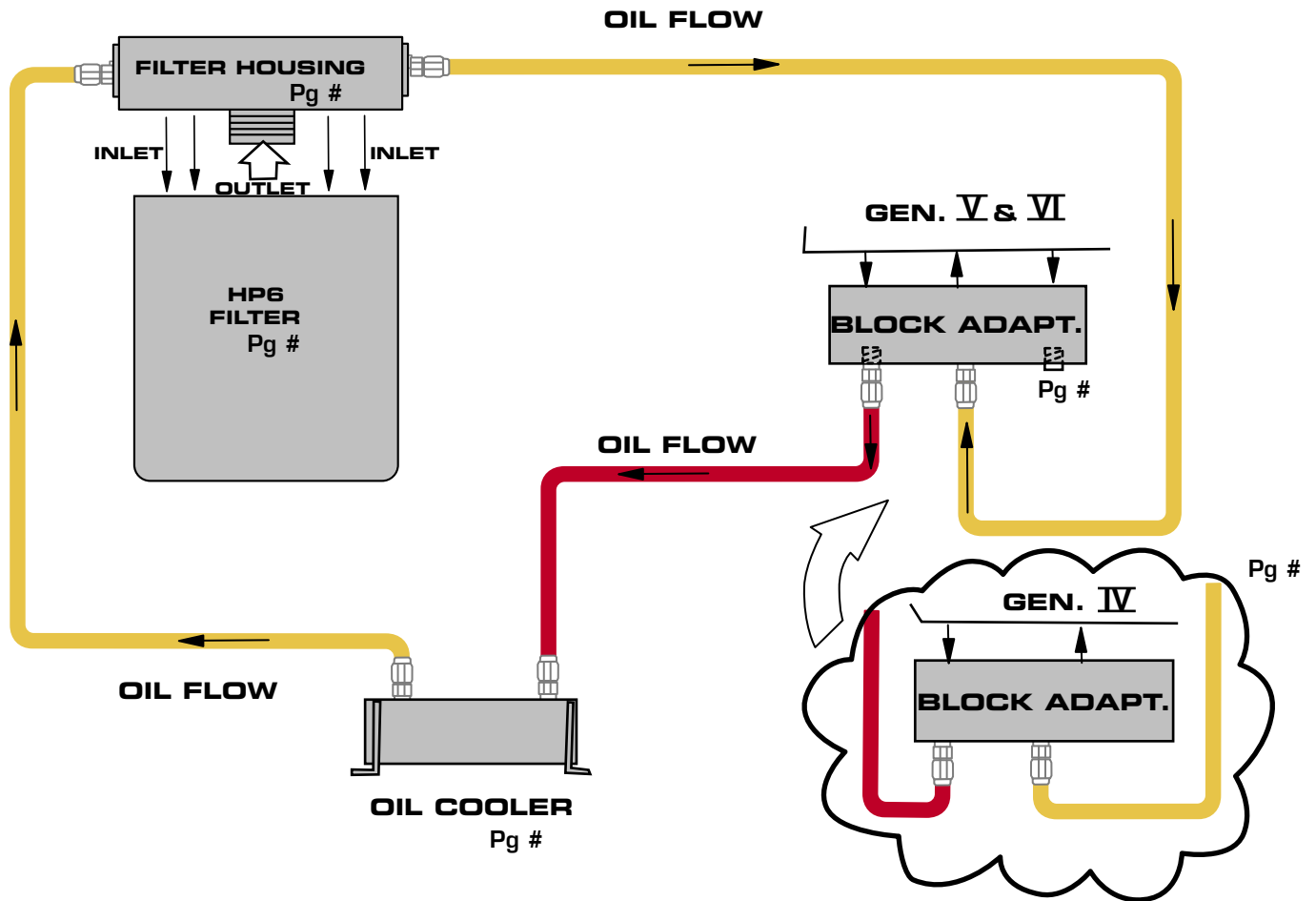


# Remote Oil Filter/Cooling System



## BENEFITS

- \* TCM REMOTE OIL FILTER AND COOLER SYSTEM ALLOWS YOU TO CHOOSE THE EXACT LOCATION FOR YOUR OIL FILTER AND COOLER.
- \* PROVIDES ACCESS FOR CONVENIENT OIL FILTER INSPECTION AND REPLACEMENT.
- \* AVAILABLE IN THREE PERFORMANCE DESIGNS. #1) CYLINDER HEAD MOUNT FOR HP4 OR HP6 FILTER
  - #2) UNIVERSAL HP6 MOUNT
  - #3) UNIVERSAL HP4 MOUNT.
- \* ALL HP6 FILTER MODELS ARE MACHINED WITH AN EXTRA LARGE INLET AND OUTLET, PROVIDING OPTIMUM FLOW EFFICIENCY AND MAXIMUM COOLING.
- \* OIL PRESSURE AND TEMPERATURE PORTS (1/8" NPT) MACHINED ON ALL HP6 FILTER MODELS. ALSO AVAILABLE FOR HP4.

## DIRECTIONS

- \* INSTALL TCM BLOCK-OFF TO BOTTOM OF ENGINE FILTER PAD.
- \* TCM RECOMMENDS THE USE OF -12 AN (5/8") OIL HOSE ON ALL PRIMARY OIL LINES.
- \* RUN OIL HOSES FROM ENGINE OUTLET TO ENGINE OIL COOLER
- \* FROM ENGINE OIL COOLER TO REMOTE FILTER AND RETURN BACK TO ENGINE BLOCK.
- \* THIS PREVENTS THE TRANSFER OF CONTAMINATION TO ENGINE IN THE EVENT OF POSSIBLE ENGINE COOLER FAILURE!

## REMINDER

- \* OIL FLOW FROM THE BLOCK: CENTER IN, SIDE OUT.
- \* OIL FLOW THE FILTER: SIDE IN, CENTER OUT.

IF YOU HAVE ANY QUESTIONS REGARDING INSTALLATION OR PLUMBING PLEASE CALL TEAGUE CUSTOM MARINE INC. AT (661) 295-7000