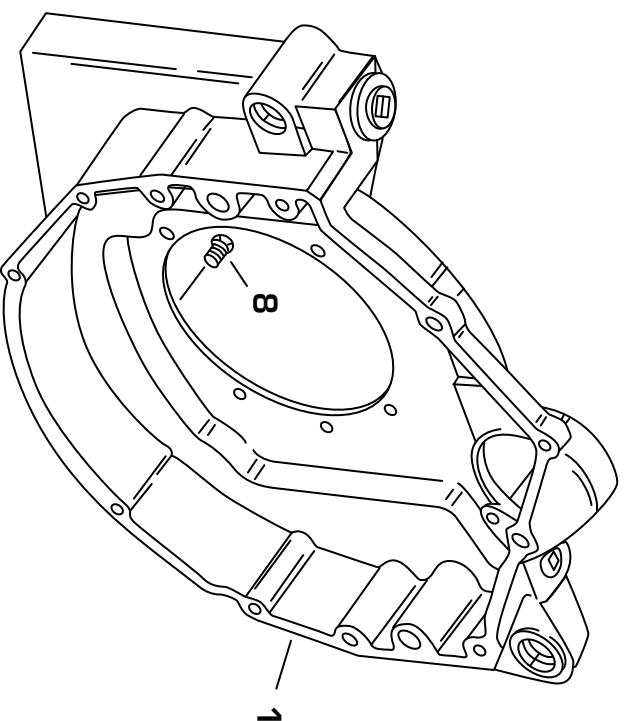
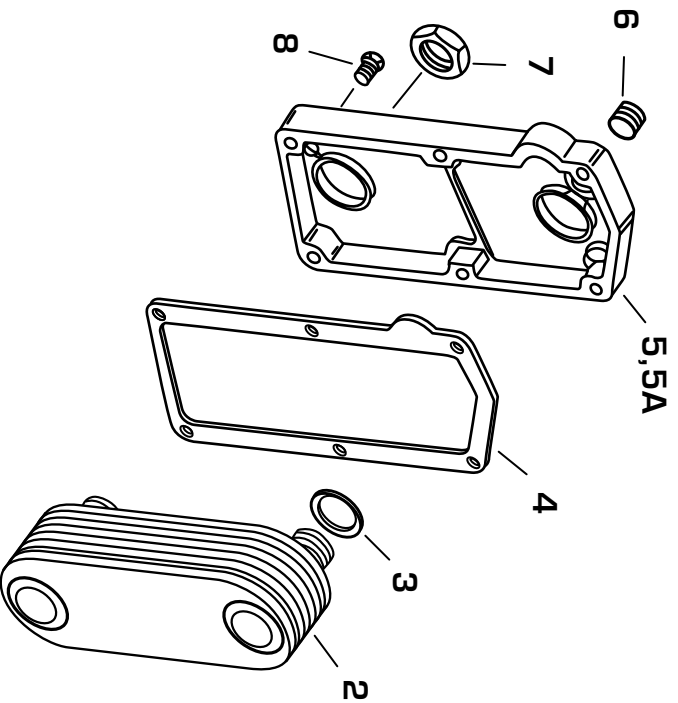


Dual Cooler HP Bell Housing



	QTY.
#1 MCM 98096-3 BELLHOUSING W/TWIN COOLER	1
#2 MCM 47610A12 OIL COOLER	2
#3 MCM 25-47632 WASHER/SEAL	4
#4 MCM 27-47495 GASKET/COOLER HSG	2
#5 MCM 94910 COVER LH/OIL COOLER	1
#5A MCM 94911A2 COVER RH/OIL COOLER	1
#6 MCM 22-47917 PLUG/ZINC ELECTRODE	2
#7 MCM 11-47521 NUT/COOLER COVER	4
#8 MCM 22-32802-2 PLUG/BRASS .125	3

